

GIGALIGHT 100GBASE-SR4 QSFP28 Active Optical Cable P/N: GQS-MDO111-XXXCL LOW POWER Version

Features

- ◆ 4 channels full-duplex transceiver modules
- ◆ Transmission data rate up to 28Gbps per channel
- ◆ Support 40GE and 56G FDR data rate
- ◆ 4 channels 850nm VCSEL array
- ◆ 4 channels PIN photo detector array
- ◆ Internal CDR circuits on both receiver and transmitter channels
- ◆ Support CDR bypass
- ◆ Low power consumption <2.5W
- ◆ Hot Pluggable QSFP form factor
- ◆ Maximum link length of 70m on OM3 Multimode Fiber (MMF) and 100m on OM4 MMF
- ◆ Single MPO connector receptacle
- ◆ Built-in digital diagnostic functions
- ◆ Operating case temperature 0°C to +70°C
- ◆ 3.3V power supply voltage
- ◆ RoHS 6 compliant(lead free)



Applications

- ◆ IEEE 802.3bm 100GBASE SR4 and 40GBASE SR4
- ◆ Infiniband FDR/EDR
- ◆ 32G Fiber Channel

Description

The Gigalight Technologies GQS-MP101-XXXCL is a Four-Channel, Pluggable, Parallel, Fiber-Optic QSFP+ SR4 for 100 or 40 Gigabit Ethernet, Infiniband FDR/EDR and 32GFC Applications. This transceiver is a high performance module for short-range multi-lane data communication and interconnect applications. It integrates four data lanes in each direction with 112.2 Gbps bandwidth. Each lane can operate at 28.05Gbps up to 70 m using OM3 fiber or 100 m using OM4 fiber. These modules are designed to operate over multimode fiber systems using a nominal wavelength of 850nm. The electrical interface uses a 38 contact edge type connector. The optical interface uses an 12 fiber MTP (MPO) connector. This module incorporates Gigalight Technologies proven circuit

and VCSEL technology to provide reliable long life, high performance, and consistent service.

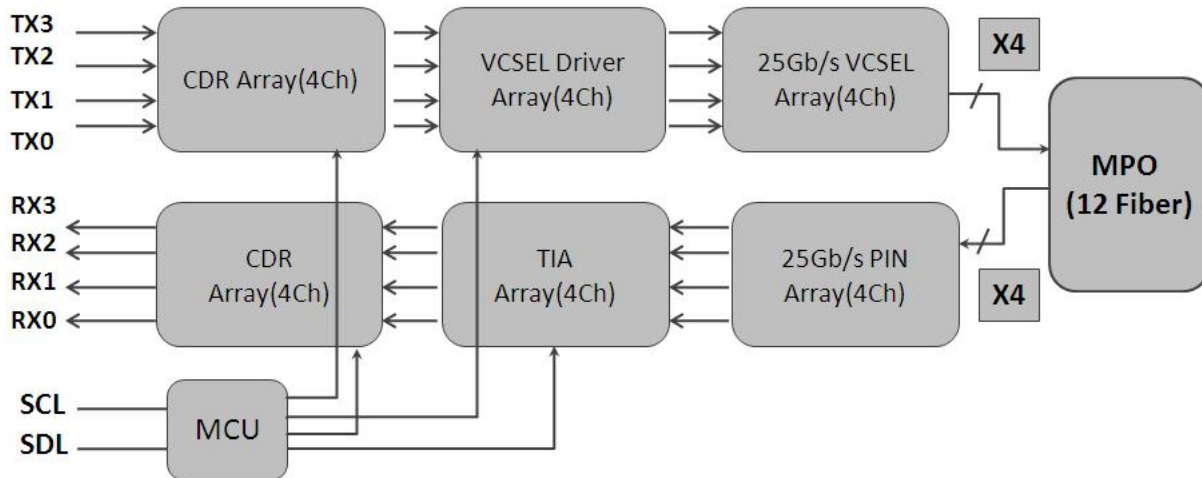


Figure1. Module Block Diagram

100GBASE-SR4 QSFP28 is one kind of parallel transceiver. VCSEL and PIN array package is key technique, through I2C system can contact with module.

Absolute Maximum Ratings

| Parameter | Symbol | Min | Max | Unit |
|----------------------------|--------|------|---------|------|
| Supply Voltage | Vcc | -0.3 | 3.6 | V |
| Input Voltage | Vin | -0.3 | Vcc+0.3 | V |
| Storage Temperature | Tst | -20 | 85 | °C |
| Case Operating Temperature | Top | 0 | 70 | °C |
| Humidity(non-condensing) | Rh | 5 | 95 | % |

Recommended Operating Conditions

| Parameter | Symbol | Min | Typical | Max | Unit |
|----------------------------|--------|------|----------|-------|------|
| Supply Voltage | Vcc | 3.13 | 3.3 | 3.47 | V |
| Operating Case temperature | Tca | 0 | | 70 | °C |
| Data Rate Per Lane | fd | | 25.78125 | 28.05 | Gbps |
| Humidity | Rh | 5 | | 85 | % |
| Power Dissipation | Pm | | 2 | 2.5 | W |
| Fiber Bend Radius | Rb | 3 | | | cm |

Electrical Specifications

| Parameter | Symbol | Min | Typical | Max | Unit |
|---------------------------------------|------------------|---------|---------|------|-------|
| Differential input impedance | Zin | 90 | 100 | 110 | ohm |
| Differential Output impedance | Zout | 90 | 100 | 110 | ohm |
| Differential input voltage amplitude | ΔV_{in} | 300 | | 1100 | mVp-p |
| Differential output voltage amplitude | ΔV_{out} | 500 | | 800 | mVp-p |
| Skew | Sw | | | 300 | ps |
| Bit Error Rate | BER | | | E-12 | |
| Input Logic Level High | VIH | 2.0 | | VCC | V |
| Input Logic Level Low | VIL | 0 | | 0.8 | V |
| Output Logic Level High | VOH | VCC-0.5 | | VCC | V |
| Output Logic Level Low | VOL | 0 | | 0.4 | V |

Note:

1. BER=10⁻¹²; PRBS 2³¹-1@25.78125Gbps.
2. Differential input voltage amplitude is measured between TxnP and TxnN.
3. Differential output voltage amplitude is measured between RxnP and RxnN.

Optical Characteristics

Table 3 - Optical Characteristics

| Parameter | Symbol | Min | Typical | Max | Unit | Notes |
|--|-----------------|---|---------|------|------|-----------------------------------|
| Transmitter | | | | | | |
| Centre Wavelength | λ_c | 840 | 850 | 860 | nm | - |
| RMS spectral width | $\Delta\lambda$ | - | - | 0.6 | nm | - |
| Average launch power, each lane | Pout | -8.4 | - | 2.4 | dBm | - |
| Optical Modulation Amplitude (OMA),each lane | OMA | -6.4 | | 3 | dBm | - |
| Transmitter and dispersion eye closure(TDEC),each lane | TDEC | | | 4.3 | dB | |
| Extinction Ratio | ER | 3 | - | - | dB | - |
| Average launch power of OFF transmitter, each lane | | | | -30 | dB | - |
| Eye Mask coordinates: X1, X2, X3, Y1, Y2, Y3 | | SPECIFICATION VALUES {0.3,0.38,0.45,0.35,0.41,0.5} | | | | Hit Ratio = 5x10 ⁻⁵ |
| Receiver | | | | | | |
| Centre Wavelength | λ_c | 840 | 850 | 860 | nm | - |
| Stressed receiver sensitivity in OMA | | | | -5.2 | dBm | 1 |

| | | | | | |
|---|--|-----|-------|-----|---|
| Maximum Average power at receiver , each lane | | | 2.4 | dBm | - |
| Minimum Average power at receiver , each lane | | | -10.3 | dBm | |
| Receiver Reflectance | | | -12 | dB | - |
| LOS Assert | | -30 | | dBm | - |
| LOS De-Assert – OMA | | | -7.5 | dBm | - |
| LOS Hysteresis | | 0.5 | | dB | - |

Note:

1. Measured with conformance test signal at TP3 for per-FEC BER = 10e-12

Pin Descriptions

| Pin | Logic | Symbol | Name/Description | Ref. |
|-----|-------------|---------|---|------|
| 1 | | GND | Module Ground | 1 |
| 2 | CML-I | Tx2- | Transmitter inverted data input | |
| 3 | CML-I | Tx2+ | Transmitter non-inverted data input | |
| 4 | | GND | Module Ground | 1 |
| 5 | CML-I | Tx4- | Transmitter inverted data input | |
| 6 | CML-I | Tx4+ | Transmitter non-inverted data input | |
| 7 | | GND | Module Ground | 1 |
| 8 | LVTTL-I | MODSEIL | Module Select | 2 |
| 9 | LVTTL-I | ResetL | Module Reset | 2 |
| 10 | | VCCRx | +3.3v Receiver Power Supply | |
| 11 | LVC MOS-I | SCL | 2-wire Serial interface clock | 2 |
| 12 | LVC MOS-I/O | SDA | 2-wire Serial interface data | 2 |
| 13 | | GND | Module Ground | 1 |
| 14 | CML-O | RX3+ | Receiver non-inverted data output | |
| 15 | CML-O | RX3- | Receiver inverted data output | |
| 16 | | GND | Module Ground | 1 |
| 17 | CML-O | RX1+ | Receiver non-inverted data output | |
| 18 | CML-O | RX1- | Receiver inverted data output | |
| 19 | | GND | Module Ground | 1 |
| 20 | | GND | Module Ground | 1 |
| 21 | CML-O | RX2- | Receiver inverted data output | |
| 22 | CML-O | RX2+ | Receiver non-inverted data output | |
| 23 | | GND | Module Ground | 1 |
| 24 | CML-O | RX4- | Receiver inverted data output | |
| 25 | CML-O | RX4+ | Receiver non-inverted data output | |
| 26 | | GND | Module Ground | 1 |
| 27 | LVTTL-O | ModPrsL | Module Present, internal pulled down to GND | |
| 28 | LVTTL-O | IntL | Interrupt output, should be pulled up on host board | 2 |

| | | | | |
|----|---------|--------|-------------------------------------|---|
| 29 | | VCCTx | +3.3v Transmitter Power Supply | |
| 30 | | VCC1 | +3.3v Power Supply | |
| 31 | LVTTL-I | LPMoDe | Low Power Mode | 2 |
| 32 | | GND | Module Ground | 1 |
| 33 | CML-I | Tx3+ | Transmitter non-inverted data input | |
| 34 | CML-I | Tx3- | Transmitter inverted data input | |
| 35 | | GND | Module Ground | 1 |
| 36 | CML-I | Tx1+ | Transmitter non-inverted data input | |
| 37 | CML-I | Tx1- | Transmitter inverted data input | |
| 38 | | GND | Module Ground | 1 |

Notes:

1. Module circuit ground is isolated from module chassis ground within the module.
2. Open collector; should be pulled up with 4.7k – 10k ohms on host board to a voltage between 3.15V and 3.6V.

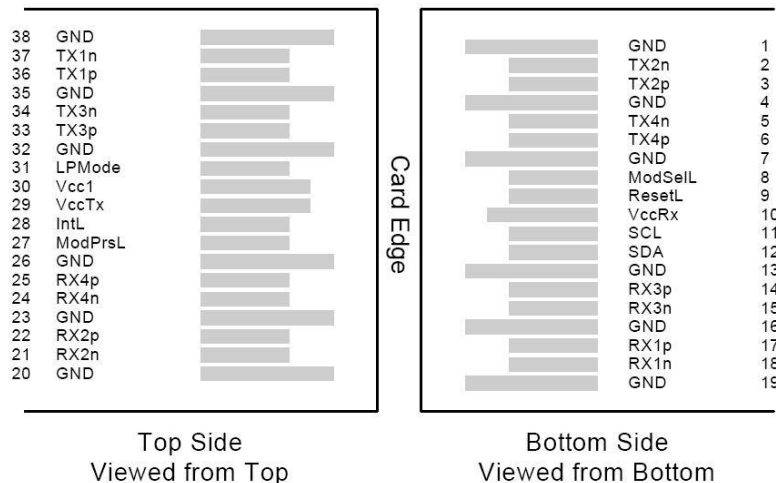


Figure2. Electrical Pin-out Details

ModSelL Pin

The ModSelL is an input pin. When held low by the host, the module responds to 2-wire serial communication commands. The ModSelL allows the use of multiple QSFP modules on a single 2-wire interface bus. When the ModSelL is “High”, the module will not respond to any 2-wire interface communication from the host. ModSelL has an internal pull-up in the module.

ResetL Pin

Reset. LPMoDe_Reset has an internal pull-up in the module. A low level on the ResetL pin for longer than the minimum pulse length (t_Reset_init) initiates a complete module reset, returning all user module settings to their default state. Module Reset Assert Time (t_init) starts on the rising edge after the low level on the ResetL pin is released. During the execution of a reset (t_init) the host shall disregard all status bits until the module indicates a completion of the reset interrupt. The module indicates this by posting an IntL signal with the Data_Not_Ready bit negated. Note that on power up (including hot insertion) the module will post this completion of reset interrupt without requiring a reset.

LPMoDe Pin

Gigalight QSFP28 SR4 operate in the low power mode (less than 1.5 W power consumption) This pin active high will decrease power consumption to less than 1W.

ModPrsL Pin

ModPrsL is pulled up to Vcc on the host board and grounded in the module. The ModPrsL is asserted “Low” when the module is inserted and deasserted “High” when the module is physically absent from the host

connector.

IntL Pin

IntL is an output pin. When “Low”, it indicates a possible module operational fault or a status critical to the host system. The host identifies the source of the interrupt by using the 2-wire serial interface. The IntL pin is an open collector output and must be pulled up to Vcc on the host board.

Power Supply Filtering

The host board should use the power supply filtering shown in Figure3.

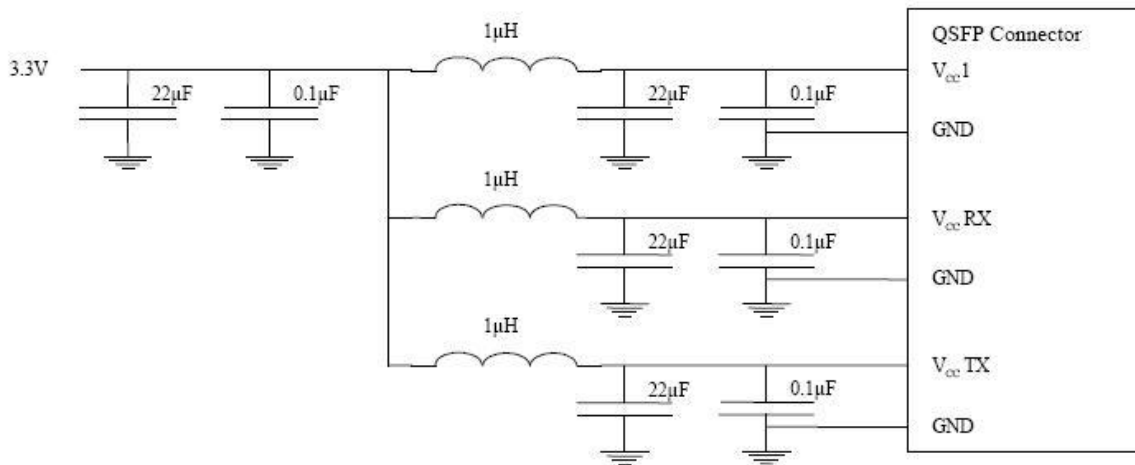


Figure3. Host Board Power Supply Filtering

DIAGNOSTIC MONITORING INTERFACE

Digital diagnostics monitoring function is available on all Gigalight QSFP28 AOC. A 2-wire serial interface provides user to contact with module.

The structure of the memory is shown in Figure 5. The memory space is arranged into a lower, single page, address space of 128 bytes and multiple upper address space pages. This structure permits timely access to addresses in the lower page, such as Interrupt Flags and Monitors. Less time critical time entries, such as serial ID information and threshold settings, are available with the Page Select function.

The interface address used is A0xh and is mainly used for time critical data like interrupt handling in order to enable a one-time-read for all data related to an interrupt situation. After an interrupt, IntL, has been asserted, the host can read out the flag field to determine the affected channel and type of flag.

2-wire serial address, 1010000x (A0h)"

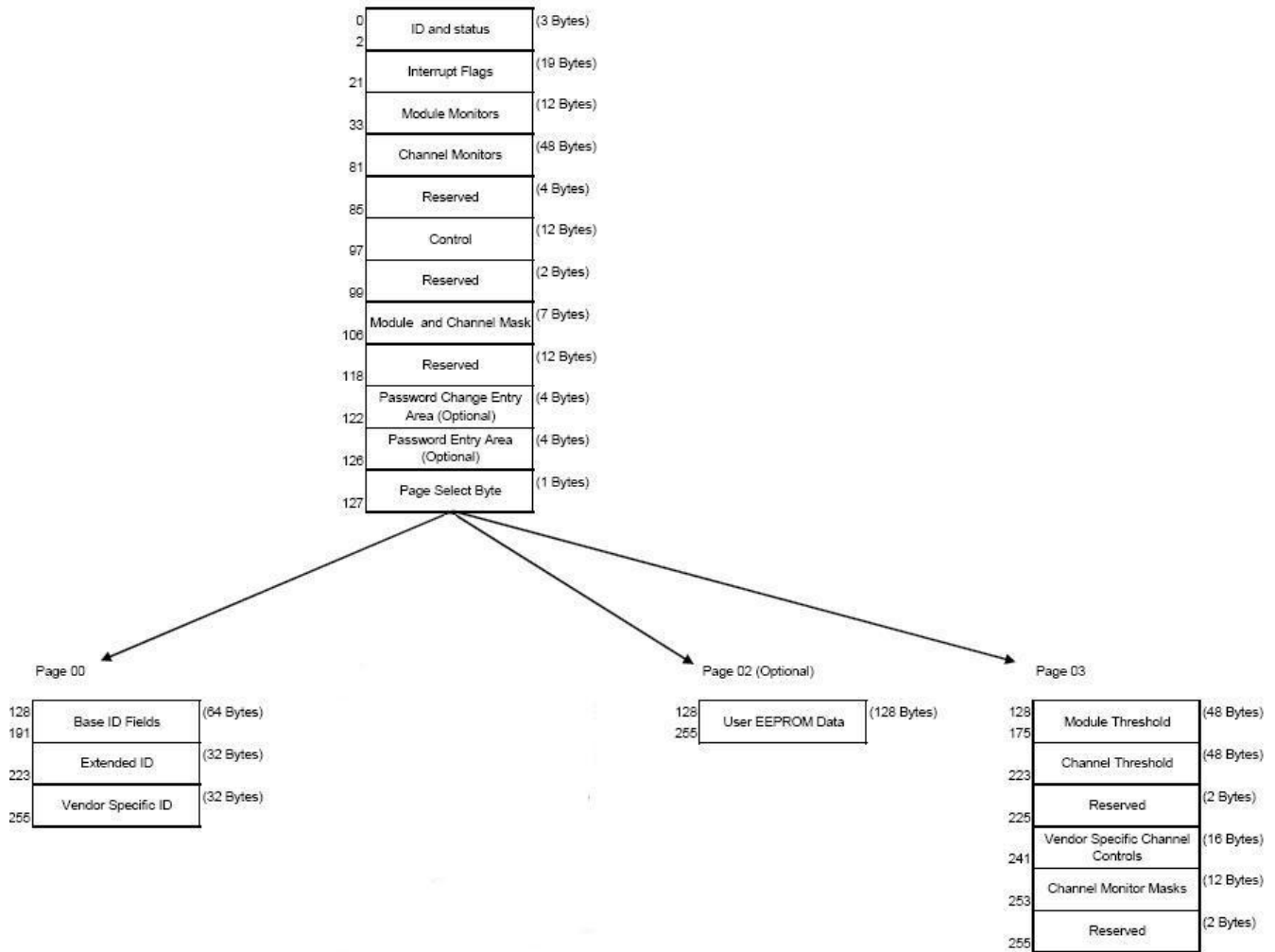


Figure5. QSFP Memory Map

| Byte Address | Description | Type |
|--------------|------------------------------------|------------|
| 0 | Identifier (1 Byte) | Read Only |
| 1-2 | Status (2 Bytes) | Read Only |
| 3-21 | Interrupt Flags (31 Bytes) | Read Only |
| 22-33 | Module Monitors (12 Bytes) | Read Only |
| 34-81 | Channel Monitors (48 Bytes) | Read Only |
| 82-85 | Reserved (4 Bytes) | Read Only |
| 86-97 | Control (12 Bytes) | Read/Write |
| 98-99 | Reserved (2 Bytes) | Read/Write |
| 100-106 | Module and Channel Masks (7 Bytes) | Read/Write |
| 107-118 | Reserved (12 Bytes) | Read/Write |
| 119-122 | Reserved (4 Bytes) | Read/Write |
| 123-126 | Reserved (4 Bytes) | Read/Write |
| 127 | Page Select Byte | Read/Write |

Figure6. Low Memory Map

| Byte Address | Description | Type |
|--------------|------------------------------|------------|
| 128-175 | Module Thresholds (48 Bytes) | Read Only |
| 176-223 | Reserved (48 Bytes) | Read Only |
| 224-225 | Reserved (2 Bytes) | Read Only |
| 226-239 | Reserved (14 Bytes) | Read/Write |
| 240-241 | Channel Controls (2 Bytes) | Read/Write |
| 242-253 | Reserved (12 Bytes) | Read/Write |
| 254-255 | Reserved (2 Bytes) | Read/Write |

Figure7. Page 03 Memory Map

| Address | Name | Description |
|---------|---|--|
| 128 | Identifier (1 Byte) | Identifier Type of serial transceiver |
| 129 | Ext. Identifier (1 Byte) | Extended identifier of serial transceiver |
| 130 | Connector (1 Byte) | Code for connector type |
| 131-138 | Transceiver (8 Bytes) | Code for electronic compatibility or optical compatibility |
| 139 | Encoding (1 Byte) | Code for serial encoding algorithm |
| 140 | BR, nominal (1 Byte) | Nominal bit rate, units of 100 Mbits/s |
| 141 | Extended RateSelect Compliance (1 Byte) | Tags for Extended RateSelect compliance |
| 142 | Length SMF (1 Byte) | Link length supported for SM fiber in km |
| 143 | Length E-50 μ m (1 Byte) | Link length supported for EBW 50/125 μ m fiber, units of 2 m |
| 144 | Length 50 μ m (1 Byte) | Link length supported for 50/125 μ m fiber, units of 1 m |
| 145 | Length 62.5 μ m (1 Byte) | Link length supported for 62.5/125 μ m fiber, units of 1 m |
| 146 | Length copper (1 Byte) | Link length supported for copper, units of 1 m |
| 147 | Device Tech (1 Byte) | Device technology |
| 148-163 | Vendor name (16 Bytes) | QSFP vendor name (ASCII) |
| 164 | Extended Transceiver (1 Byte) | Extended Transceiver Codes for InfiniBand [†] |
| 165-167 | Vendor OUI (3 Bytes) | QSFP vendor IEEE vendor company ID |
| 168-183 | Vendor PN (16 Bytes) | Part number provided by QSFP vendor (ASCII) |
| 184-185 | Vendor rev (2 Bytes) | Revision level for part number provided by vendor (ASCII) |
| 186-187 | Wavelength (2 Bytes) | Nominal laser wavelength (Wavelength = value / 20 in nm) |
| 188-189 | Wavelength Tolerance (2 Bytes) | Guaranteed range of laser wavelength (+/- value) from Nominal wavelength (Wavelength Tol. = value / 200 in nm) |
| 190 | Max Case Temp (1 Byte) | Maximum Case Temperature in Degrees C |
| 191 | CC_BASE (1 Byte) | Check code for Base ID fields (addresses 128-190) |
| 192-195 | Options (4 Bytes) | Rate Select, TX Disable, TX Fault, LOS |
| 196-211 | Vendor SN (16 Bytes) | Serial number provided by vendor (ASCII) |
| 212-219 | Date code (8 Bytes) | Vendor's manufacturing date code |
| 220 | Diagnostic Monitoring Type (1 Byte) | Indicates which type of diagnostic monitoring is implemented |
| 221 | Enhanced Options (1 Byte) | Indicates which optional enhanced features are implemented |
| 222 | Reserved (1 Byte) | Reserved |
| 223 | CC_EXT | Check code for the Extended ID Fields (addresses 192-222) |
| 224-255 | Vendor Specific (32 Bytes) | Vendor Specific EEPROM |

Figure8. Page 00 Memory Map

Page02 is User EEPROM and its format decided by user.

The detail description of low memory and page00.page03 upper memory please see SFF-8436 document.

Gigalight definiens

TX INPUT Equalization

| I2C Address 0xA0 (EQ BOOST) | | | |
|-----------------------------|-----------------------------|-----------------------------|-----------------------------|
| TX Chanel 1 Byte0x42(66) | TX Chanel 2 Byte0x43(76) | TX Chanel 3 Byte0x44(68) | TX Chanel 4 Byte0x45(69) |
| 0x00 = 0dB (default) | | | |
| 0x28 = 1.2dB | | | |
| 0x3B = 2.4dB | | | |
| 0x4A = 3.6dB | | | |
| 0x57 = 4.8dB | | | |
| 0x60 = 6.0dB | | | |
| 0x69 = 7.2dB | | | |
| 0x70 = 8.4dB | | | |
| 0x76 = 9.6dB | | | |
| 0x7B = 10.8dB | | | |
| 0x7F = 12dB | | | |

CDR BYPASS

| I2C Address 0xA0 Byte0x46(70) | |
|-------------------------------|----------------|
| TX and RX CDR on the path | 0x00 (default) |
| TX CDR Bypass | 0x10 |
| RX CDR Bypass | 0x01 |
| TX and RX CDR Bypass | 0x11 |

TX INPUT Equalization Byte and CDR BYPASS Byte restore default value after power.

Timing for Soft Control and Status Functions

| Parameter | Symbol | Max | Unit | Conditions |
|---------------------|--------|------|------|--|
| Initialization Time | t_init | 2000 | ms | Time from power on ¹ , hot plug or rising edge of Reset until the module is fully functional ² |

| | | | | |
|---|--------------|------|----|---|
| Reset Init Assert Time | t_reset_init | 2 | μs | A Reset is generated by a low level longer than the minimum reset pulse time present on the ResetL pin. |
| Serial Bus Hardware Ready Time | t_serial | 2000 | ms | Time from power on ¹ until module responds to data transmission over the 2-wire serial bus |
| Monitor Data Ready Time | t_data | 2000 | ms | Time from power on ¹ to data not ready, bit 0 of Byte 2, deasserted and IntL asserted |
| Reset Assert Time | t_reset | 2000 | ms | Time from rising edge on the ResetL pin until the module is fully functional ² |
| LPMODE Assert Time | ton_LPMODE | 100 | μs | Time from assertion of LPMODE (Vin:LPMODE = Vih) until module power consumption enters lower Power Level |
| IntL Assert Time | ton_IntL | 200 | ms | Time from occurrence of condition triggering IntL until Vout:IntL = Vol |
| IntL Deassert Time | toff_IntL | 500 | μs | Time from clear on read ³ operation of associated flag until Vout:IntL = Voh. This includes deassert times for Rx LOS, Tx Fault and other flag bits. |
| Rx LOS Assert Time | ton_los | 100 | ms | Time from Rx LOS state to Rx LOS bit set and IntL asserted |
| Tx Fault Assert Time | ton_Txfault | 200 | ms | Time from Tx Fault state to Tx Fault bit set and IntL asserted |
| Flag Assert Time | ton_flag | 200 | ms | Time from occurrence of condition triggering flag to associated flag bit set and IntL asserted |
| Mask Assert Time | ton_mask | 100 | ms | Time from mask bit set ⁴ until associated IntL assertion is inhibited |
| Mask Deassert Time | toff_mask | 100 | ms | Time from mask bit cleared ⁴ until associated IntL operation resumes |
| ModSelL Assert Time | ton_ModSelL | 100 | μs | Time from assertion of ModSelL until module responds to data transmission over the 2-wire serial bus |
| ModSelL Deassert Time | toff_ModSelL | 100 | μs | Time from deassertion of ModSelL until the module does not respond to data transmission over the 2-wire serial bus |
| Power_override or Power-set Assert Time | ton_Pdown | 100 | ms | Time from P_Down bit set ⁴ until module power consumption enters lower Power Level |
| Power_override or Power-set Deassert Time | toff_Pdown | 300 | ms | Time from P_Down bit cleared ⁴ until the module is fully functional ³ |

Note:

1. Power on is defined as the instant when supply voltages reach and remain at or above the minimum specified value.
2. Fully functional is defined as IntL asserted due to data not ready bit, bit 0 byte 2 deasserted.
3. Measured from falling clock edge after stop bit of read transaction.
4. Measured from falling clock edge after stop bit of write transaction.

Figure9. Timing Specifications

Mechanical Dimensions

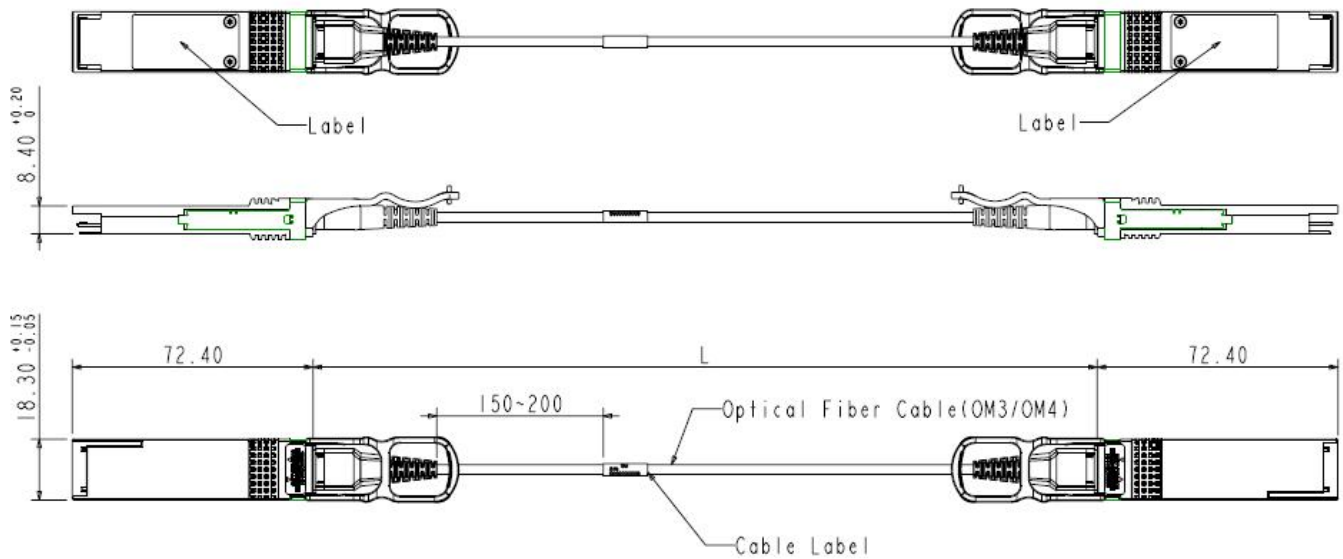


Figure10. Mechanical Specifications

Ordering information

| Part Number | Product Description |
|------------------|--|
| QQS-MDO111-XXXCL | QSFP28, 100GBASE-SR4, Active Optical Cable 70m on OM3 Multimode Fiber (MMF)and 100m on OM4 Low power version |

References

1. SFF-8436 QSFP+
2. Ethernet 100GBASE-SR4

Important Notice

Performance figures, data and any illustrative material provided in this data sheet are typical and must be specifically confirmed in writing by GIGALIGHT before they become applicable to any particular order or contract. In accordance with the GIGALIGHT policy of continuous improvement specifications may change without notice.

The publication of information in this data sheet does not imply freedom from patent or other protective rights of GIGALIGHT or others. Further details are available from any GIGALIGHT sales representative.

sales@gigalight.com.cn
<http://www.gigalight.com.cn>